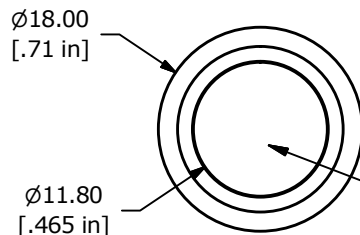


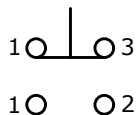
PANEL CUTOUT  
MAX. PANEL THICKNESS  
14.0mm [.55]



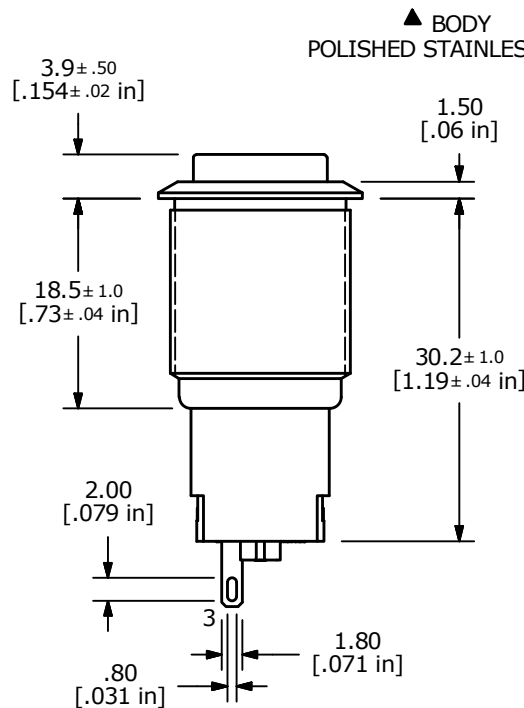
▲ HIGH ACTUATOR  
POLISHED STAINLESS STEEL



SWITCH FUNCTION	
POS. 1	POS. 2
ON	(ON)
1-3	1-2
(ON) = MOMENTARY	



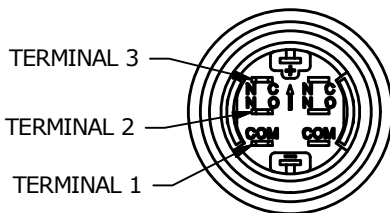
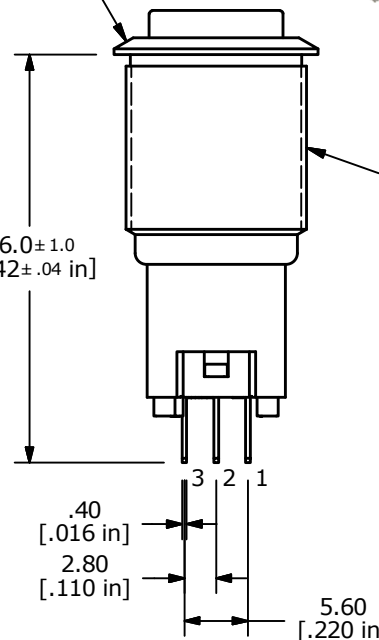
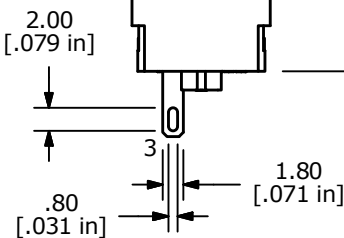
▲ SPDT ON-(ON)  
CONTACT CONFIGURATION



▲ BODY  
POLISHED STAINLESS STEEL

▲ 36.0±1.0  
[1.42±.04 in]

M16x1.0



- NOTE:
- ALL DIMENSIONS IN MM [INCH]
  - GENERAL TOLERANCE: X.X = ±0.4  
X.XX = ±0.25
  - TERMINAL NUMBERS FOR REF ONLY
  - CONTACT MATERIAL: SILVER
  - RATING: 2A 48VDC
  - ELECTRIC LIFE: 50,000 MAKE-AND-BREAK CYCLES AT FULL LOAD.
  - INSULATION RESISTANCE: 1,000 MΩ MIN.
  - DIELECTRIC STRENGTH: 2,000 VAC MIN. FOR 1 MINUTE
  - CONTACT RESISTANCE: 50mΩ MAX. @ 1A 12VDC
  - OPERATING TEMP.: -20°C to 55°C
  - ▲ DENOTES CRITICAL PARAMETER.
  - HARDWARE SUPPLIED: O-RING AND HEXNUT
  - INGRESS RATING: IP40
  - 2011/65/EU (ROHS) COMPLIANT
  - LAMP VOLTAGE: NO LAMP



REV	PCR NO	DESCRIPTION	DATE	BY
F	23360	UPDATED RATING TO 2A 48VDC	5/14/18	MJR
E	22883	UPDATED RATING TO 1A 24VDC	6/7/17	MJR

TITLE PV3H2B0SS				
SCALE 3:2	DATE 1/26/2012	DR EBP	DWG 52-PV3H2B0SS	REV F

THE INFORMATION CONTAINED IN THIS DOCUMENT IS PROPRIETARY TO E-SWITCH AND IS NOT TO BE COPIED OR TRANSFERRED